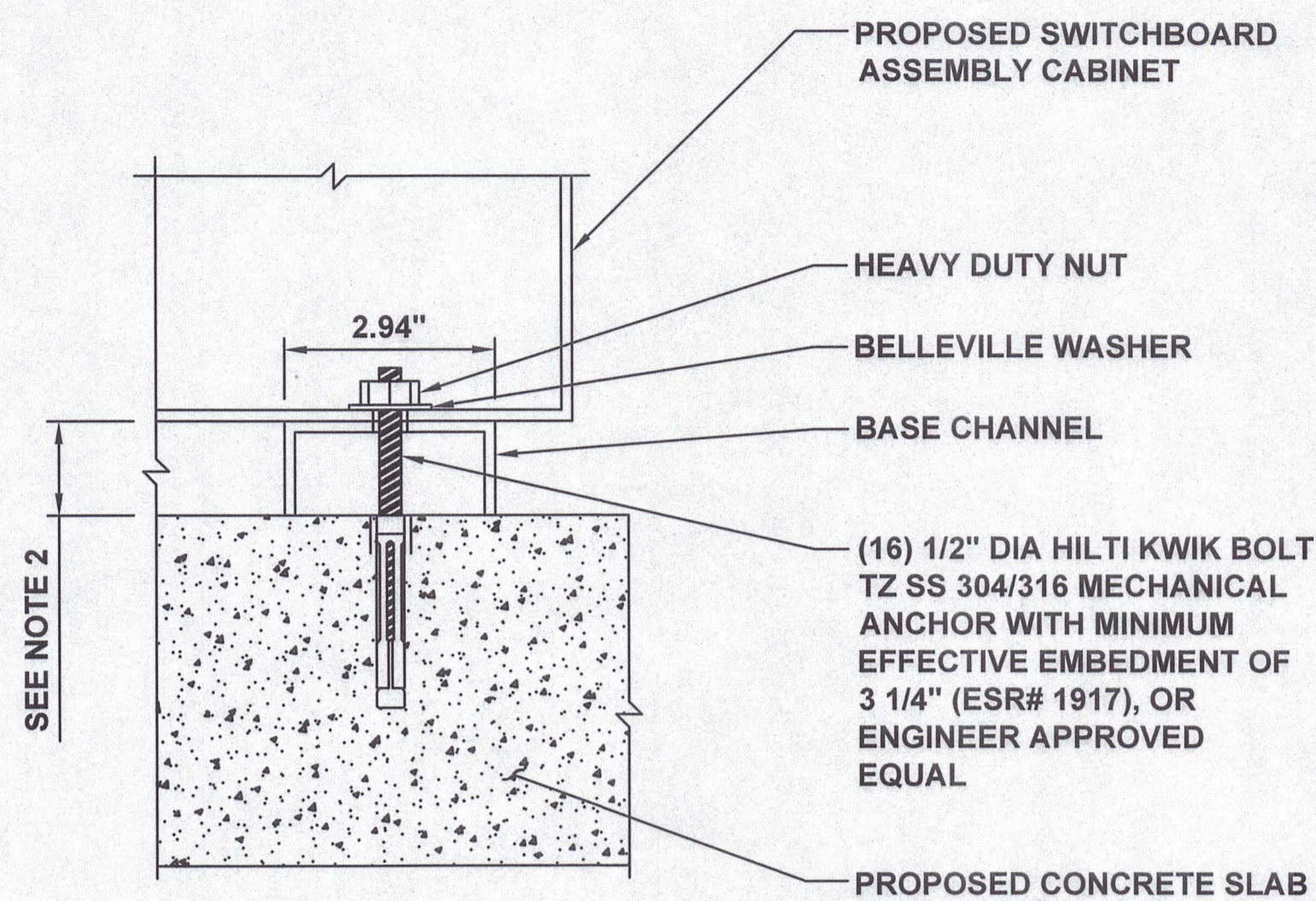
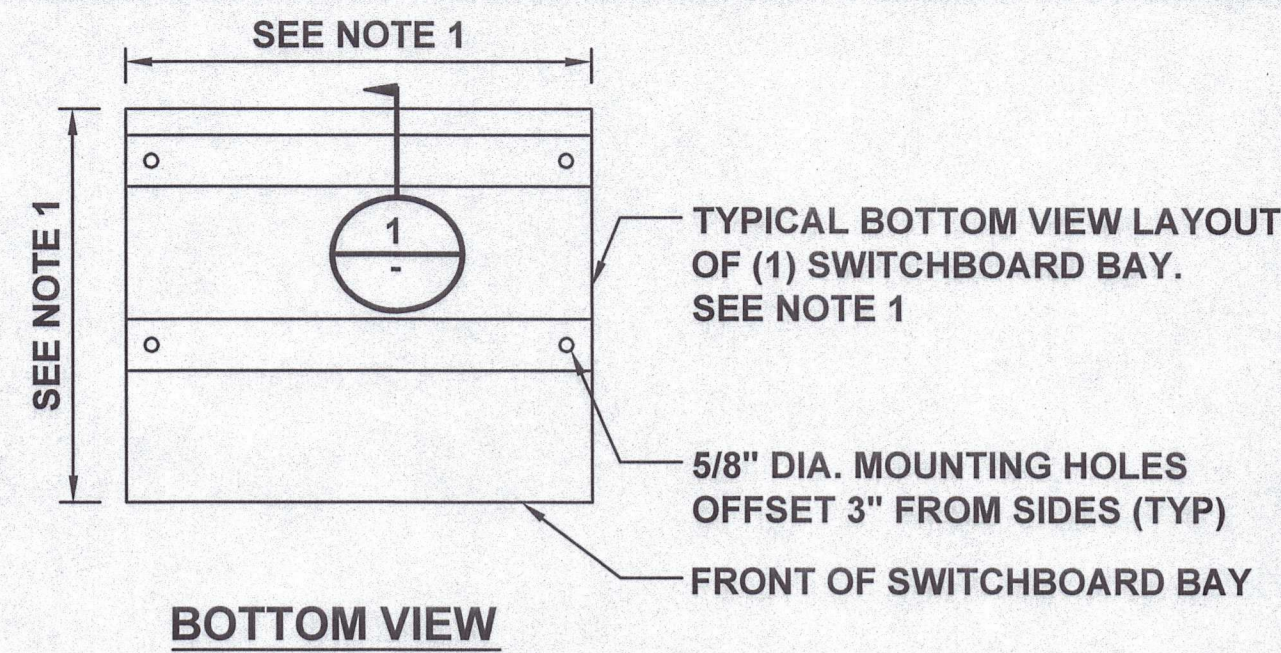


**NOTES**

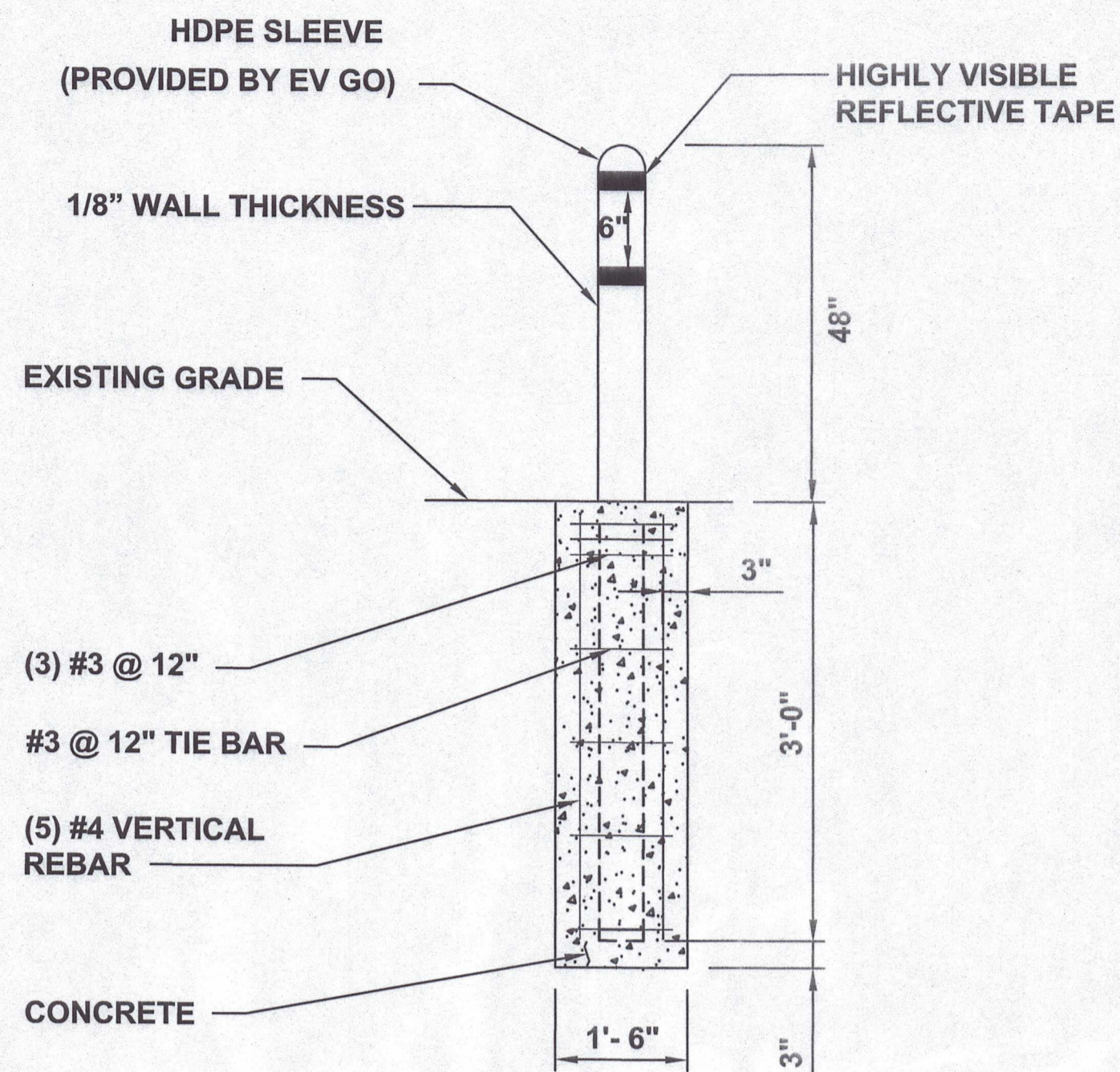
1. SEE FLOOR PLAN IN REFERENCED SWITCHBOARD ASSEMBLY DRAWINGS FOR MOUNTING HOLE LOCATION AND SWITCHBOARD BAY DIMENSIONS.
2. SEE ELEVATION IN REFERENCED SWITCHBOARD ASSEMBLY DRAWINGS FOR BASE CHANNEL DIMENSION.
3. MINIMUM 10 1/2" CONCRETE EDGE DISTANCE REQUIRED FOR PROPOSED ANCHORAGE.



**A SWITCHBOARD MOUNTING DETAIL**  
D-2 SCALE: N.T.S.

**NOTES**

1. BOLLARD IS FOR WARNING PURPOSES ONLY.
2. BOLLARD DETAIL FOR BOLLARDS AROUND EV GO EQUIPMENT.
3. BOLLARD LIVE LOAD 33,610 PSI.

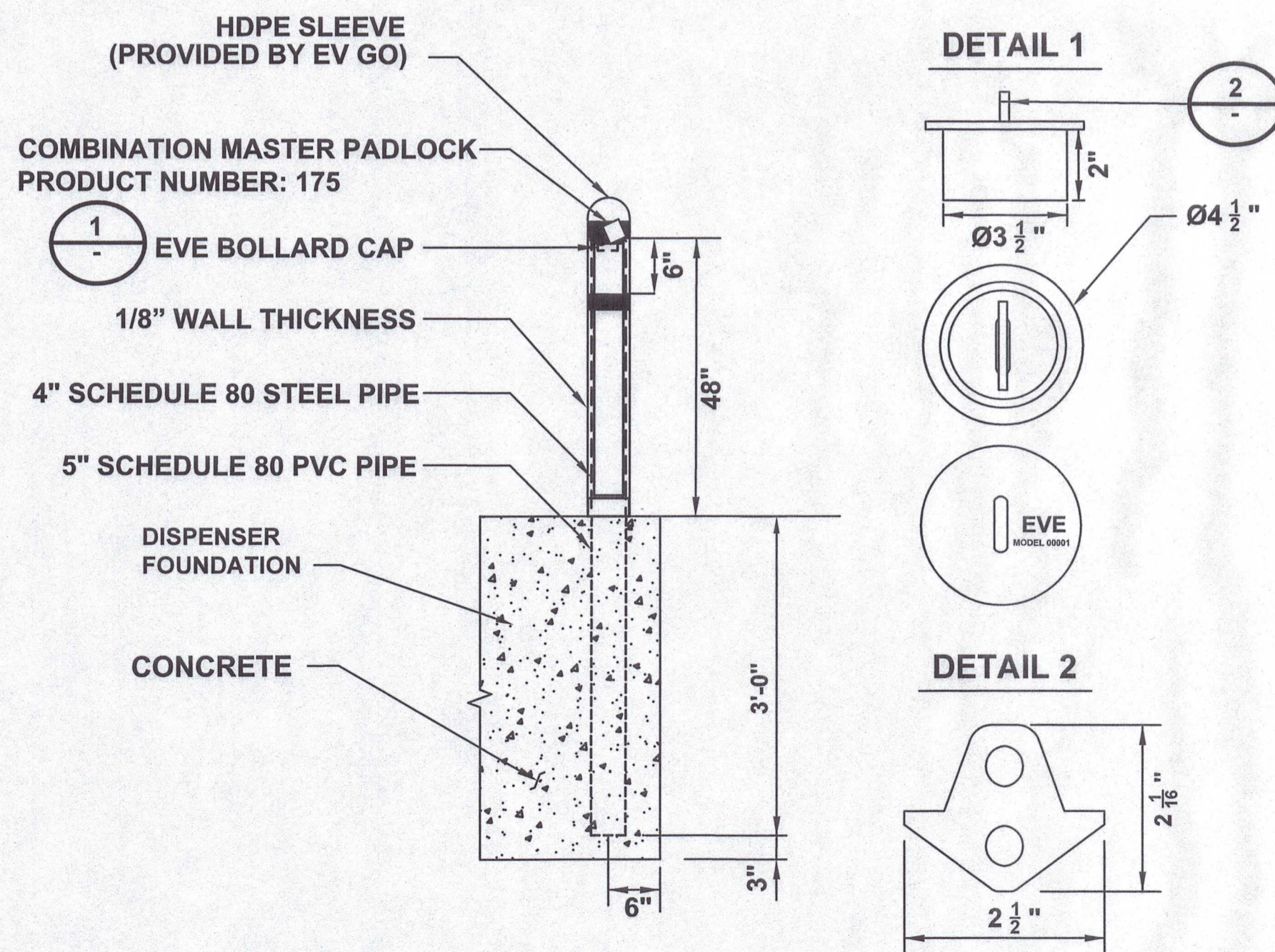


**B WARNING BOLLARD DETAIL**  
D-2 SCALE: N.T.S.

**C NOT USED**  
D-2 SCALE: N.T.S.

**NOTES**

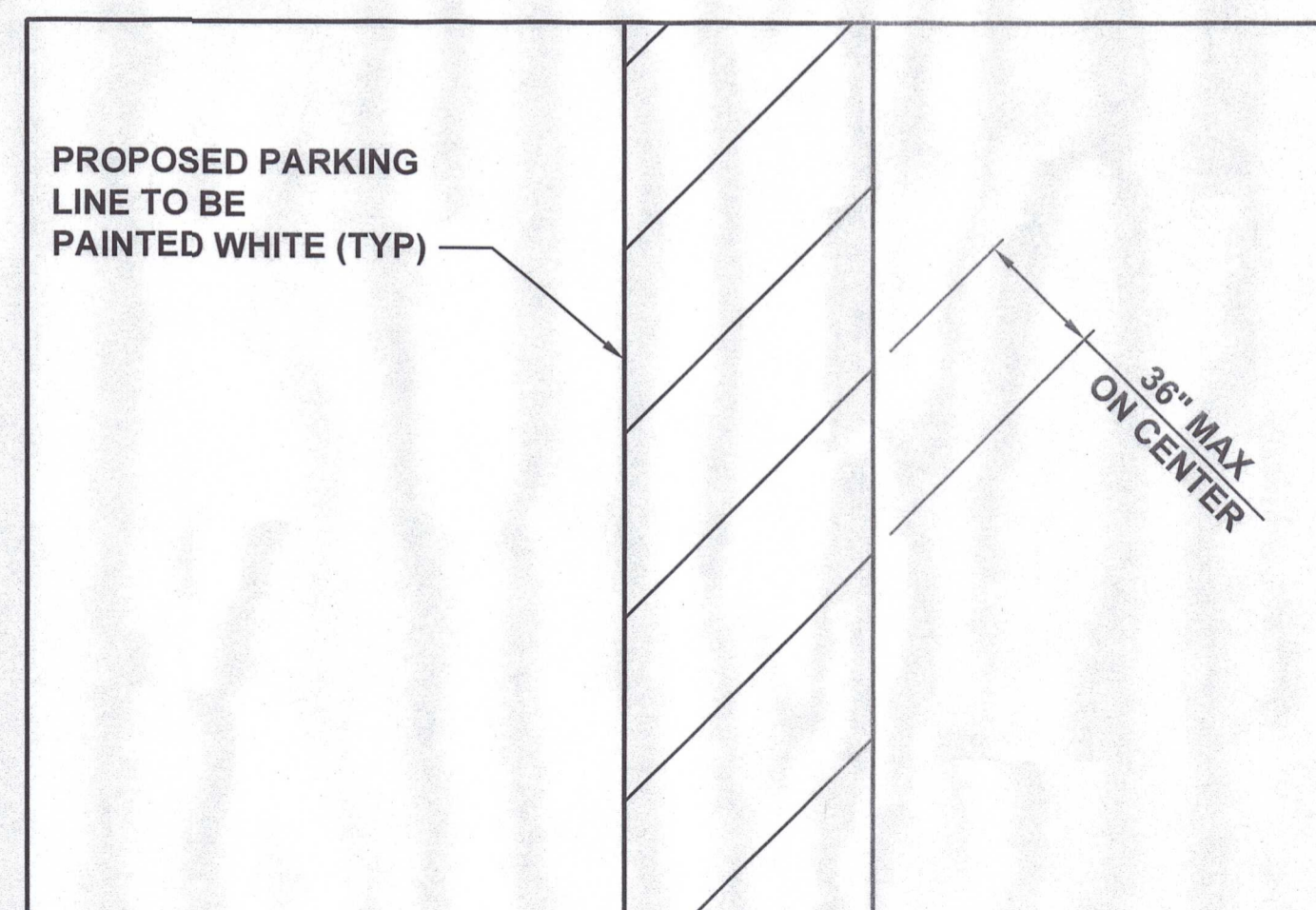
1. BOLLARD DETAIL FOR BOLLARDS IN FRONT OF EVGO CHARGING DISPENSERS.
2. PRODUCT DETAILS: EVE LOCKING BOLLARD CAP, PART NUMBER: 00001
3. BOLLARD LIVE LOAD 33,610 PSI.
4. PURCHASE BOLLARD CAPS AT WWW.EVEINITIATIVES.COM.



**D 4 REMOVABLE LOCKING BOLLARD**  
D-2 SCALE: N.T.S.

**NOTES**

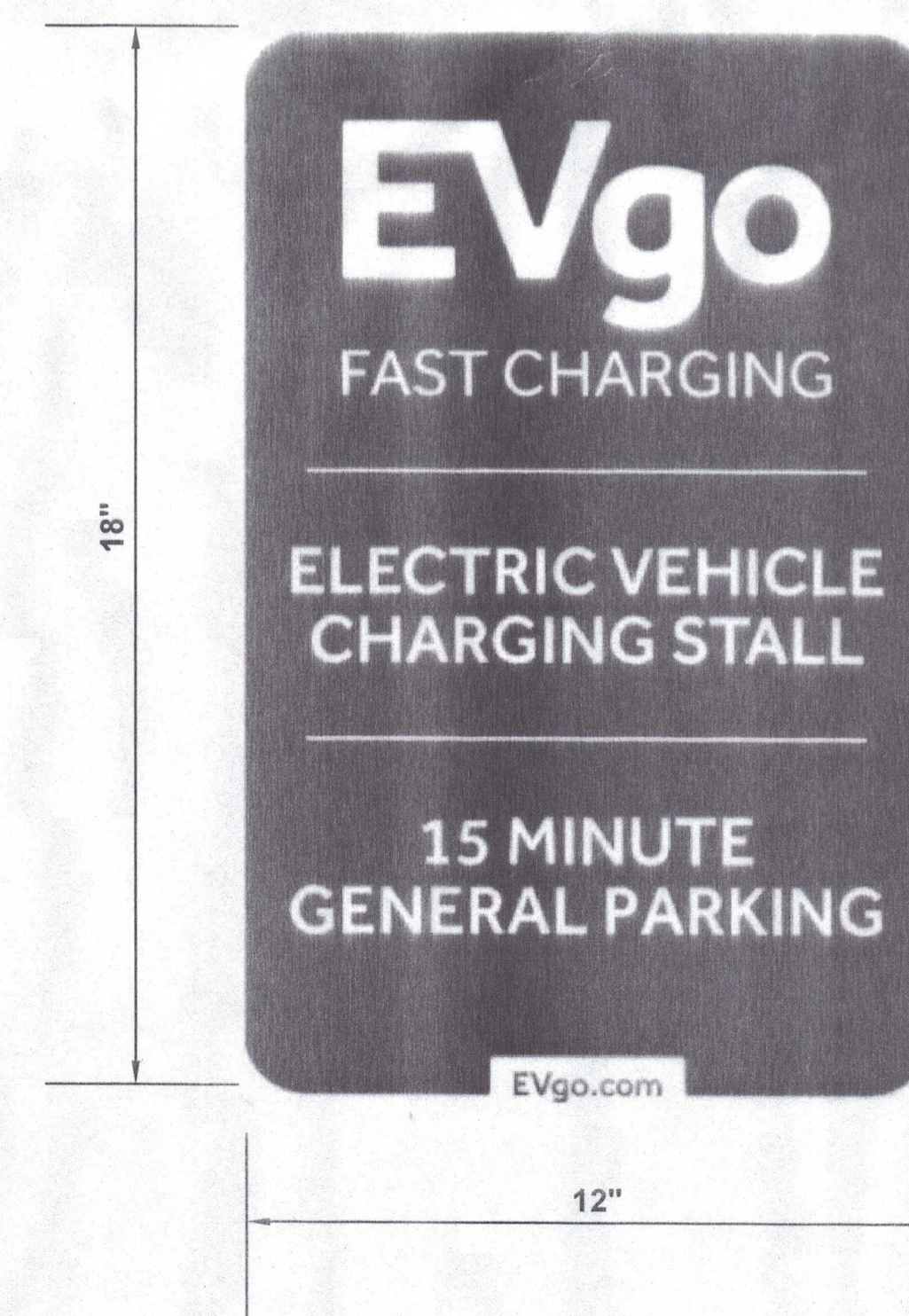
1. PROPOSED ACCESSIBLE STALLS AND ACCESS AISLE SHALL BE 2% MAX SLOPE IN ALL DIRECTIONS.
2. REFER TO SHEET C-3 FOR PROPOSED SITE PLAN.
3. LOWER SIDE OF MARKING SHOULD BE ALIGNED WITH THE END OF THE PARKING SPACE.
4. THE CENTER OF THE TEXT SHALL BE A MAXIMUM OF 6 INCHES FROM THE CENTERLINE OF THE VEHICLE SPACE.



**E EVCS ACCESSIBLE STALL MARKING PLAN**  
D-2 SCALE: N.T.S.

**NOTES**

1. CONTRACTOR TO SELECT APPROPRIATE SIGN PER PROPOSED SIGN LOCATION.
2. BOTTOM OF LOWEST SIGN SHALL BE INSTALLED 66" ABOVE GRADE.



**F EV CHARGING GENERAL PARKING SIGN**  
D-2 SCALE: N.T.S.

